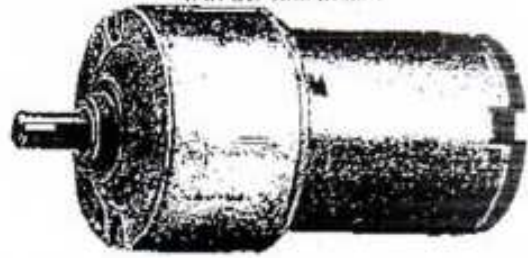
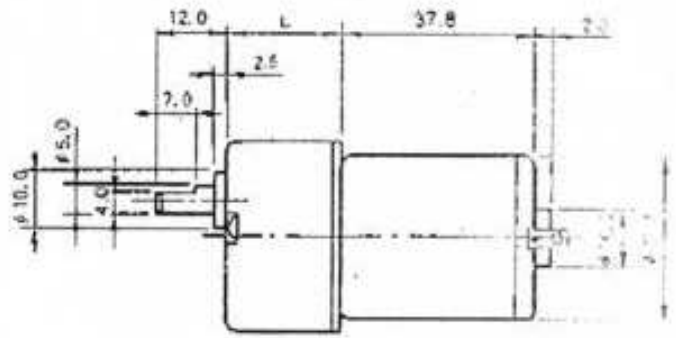
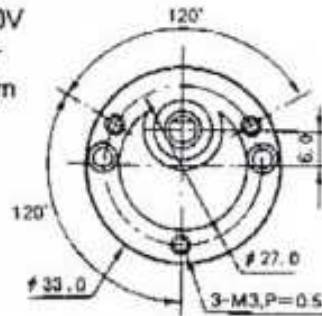




**DC GEARED MOTOR
STOCK PROGRAMME
33G/N2738-XXX-xxxx**



- DC permanent magnet motor
- 12V motor: permiss. 6 - 15V
- 24V motor: permiss. 12 - 30V
- RFI suppression by varistor
- Max. radial load 50N at 8mm from mounting surface
- Max. axial load 33N
- Max. axial play 0.5mm
- Weight 115g - 140g



Technical Data

MOTOR-GEAR XXX-xxxx	NOMINAL VOLTAGE V DC	GEAR RATIO i	NOLOAD SPEED rpm	CONTINUOUS OPERATION AT MAXIMUM EFFICIENCY			GEARED MOTOR PEAK TORQUE ABOUT mNm	LENGTH L mm
				SPEED rpm	CURRENT A	TORQUE mNm		
132-0008	12	8	700	530	0.38	39	150	20
196-0008	12	8	460	320	0.22	33	110	20
267-0008	24	8	680	530	0.2	39	150	20
380-0008	24	8	475	320	0.11	26	82	20
132-0020	12	20	280	210	0.38	87	300	20
196-0020	12	20	180	130	0.22	73	247	20
267-0020	24	20	270	210	0.2	87	300	20
380-0020	24	20	190	130	0.11	58	182	20
132-0050	12	50	110	85	0.38	200	600	20
196-0050	12	50	70	52	0.22	167	569	20
267-0050	24	50	105	85	0.2	200	600	20
380-0050	24	50	75	52	0.11	134	418	20
132-0125	12	125	44	38	0.3	300	900	24.5
196-0125	12	125	29	23	0.18	300	900	24.5
267-0125	24	125	43	38	0.15	300	900	24.5
380-0125	24	125	30	23	0.1	300	900	24.5
132-0312	12	312	17.5	17	0.18	300	900	24.5
196-0312	12	312	12	11	0.12	300	900	24.5
267-0312	24	312	17	16	0.09	300	900	24.5
380-0312	24	312	12	11	0.06	300	900	24.5
132-0781	12	781	7	6.5	0.13	300	900	29
196-0781	12	781	4.8	4.2	0.1	300	900	29
267-0781	24	781	7	6.5	0.07	300	900	29
380-0781	24	781	4.8	4.2	0.05	300	900	29
132-1953	12	1953	2.8	2.5	0.12	300	900	29
196-1953	12	1953	1.9	1.6	0.08	300	900	29
267-1953	24	1953	2.8	2.5	0.06	300	900	29
380-1953	24	1953	1.9	1.6	0.04	300	900	29